

# F4HMP-D



4.3-10 Male Push Pull for 1/2 in FSJ4-50B cable

## Product Classification

<b>Brand</b>	HELIAX®
<b>Product Type</b>	Wireless and radiating connector

## General Specifications

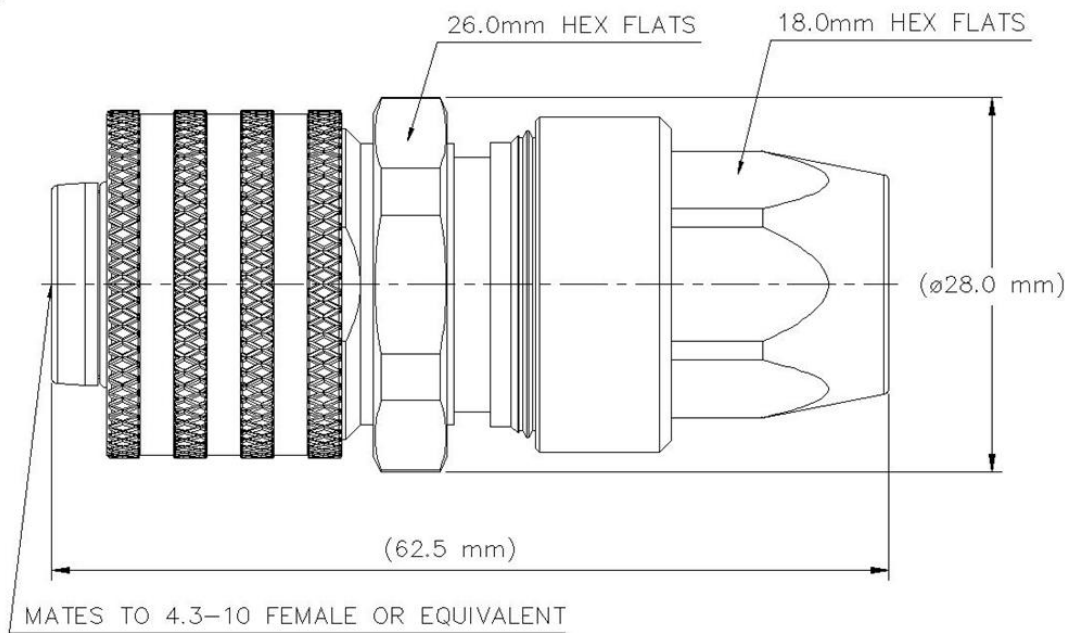
<b>Interface</b>	4.3-10 Male
<b>Body Style</b>	Straight
<b>Mounting Angle</b>	Straight
<b>Ordering Note</b>	CommScope® standard product (Global)

## Electrical Specifications

<b>Connector Impedance</b>	50 ohm
<b>Operating Frequency Band</b>	0 – 7500 MHz
<b>Cable Impedance</b>	50 ohm
<b>3rd Order IMD Dynamic, typical</b>	-116.0 dB
<b>3rd Order IMD Dynamic Test Method</b>	Two +43 dBm carriers
<b>3rd Order IMD, typical</b>	-116 dBm @ 910 MHz
<b>RF Operating Voltage, maximum (vrms)</b>	884.00 V
<b>dc Test Voltage</b>	2500 V
<b>Outer Contact Resistance, maximum</b>	1.50 mOhm
<b>Inner Contact Resistance, maximum</b>	0.80 mOhm
<b>Insulation Resistance, minimum</b>	5000 MOhm
<b>Average Power</b>	600.0 W @ 900 MHz
<b>Peak Power, maximum</b>	22.50 kW
<b>Insertion Loss, typical</b>	0.05 dB
<b>Shielding Effectiveness</b>	-110 dB

# F4HMP-D

## Outline Drawing



## Mechanical Specifications

<b>Outer Contact Attachment Method</b>	Crush-flare
<b>Inner Contact Attachment Method</b>	Captivated
<b>Outer Contact Plating</b>	Trimetal
<b>Inner Contact Plating</b>	Silver
<b>Attachment Durability</b>	5 cycles
<b>Interface Durability</b>	25 cycles
<b>Interface Durability Method</b>	IEC 61169-4:9.5
<b>Connector Retention Tensile Force</b>	890 N   200 lbf
<b>Connector Retention Torque</b>	5.42 N-m   48.00 in lb

## Dimensions

<b>Nominal Size</b>	1/2 in
<b>Diameter</b>	28.00 mm   1.10 in
<b>Length</b>	62.45 mm   2.46 in
<b>Weight</b>	123.37 g   0.27 lb

## Environmental Specifications

# F4HMP-D

---

<b>Operating Temperature</b>	-55 °C to +85 °C (-67 °F to +185 °F)
<b>Storage Temperature</b>	-55 °C to +85 °C (-67 °F to +185 °F)
<b>Immersion Depth</b>	1 m
<b>Immersion Test Mating</b>	Mated
<b>Immersion Test Method</b>	IEC 60529:2001, IP68
<b>Water Jetting Test Mating</b>	Mated
<b>Water Jetting Test Method</b>	IEC 60529:2001, IP66
<b>Moisture Resistance Test Method</b>	IEC 60068-2-3
<b>Mechanical Shock Test Method</b>	IEC 60068-2-27
<b>Thermal Shock Test Method</b>	IEC 60068-2-14
<b>Vibration Test Method</b>	IEC 60068-2-6
<b>Corrosion Test Method</b>	IEC 60068-2-11

## Standard Conditions

<b>Attenuation, Ambient Temperature</b>	20 °C   68 °F
<b>Average Power, Ambient Temperature</b>	40 °C   104 °F

## Return Loss/VSWR

<b>Frequency Band</b>	<b>VSWR</b>	<b>Return Loss (dB)</b>
45–1000 MHz	1.02	40.00
1000–2700 MHz	1.03	36.00
2700–3800 MHz	1.07	30.00
3800–6000 MHz	1.15	23.00

## Regulatory Compliance/Certifications

<b>Agency</b>	<b>Classification</b>
RoHS 2011/65/EU	Compliant by Exemption
ISO 9001:2015	Designed, manufactured and/or distributed under this quality management system
China RoHS SJ/T 11364-2014	Above Maximum Concentration Value (MCV)



## \* Footnotes

<b>Immersion Depth</b>	Immersion at specified depth for 24 hours
<b>Insertion Loss, typical</b>	0.05v/freq (GHz) (not applicable for elliptical waveguide)